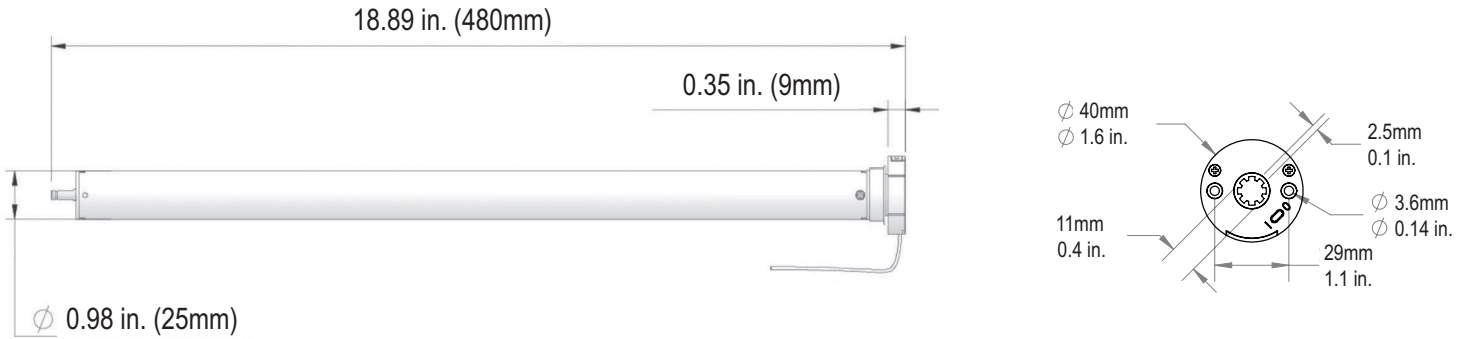


### DIMENSIONS



### SPECIFICATIONS

Model	BLISS 1.1 LI-ION
Torque	1.1Nm
Speed	28rpm (adjustable to 20 or 24)
Motor Size (L x W x H)	480mm*40mm*40mm
Voltage	8V DC
Current	0.94A
Power	8W
IP Class	IP20
Insulation Grade	A

Battery Model / Type	Internal / Lithium Ion
Battery Capacity	2600mAh
Working temp	32°F to 140°F (0°C to 60°C)
RF Modulation	FSK
Radio Frequency	433.92 MHz
Max Running Circles	6 Minutes
Limit Switch Type	Electronic
Sound Level	46dB
Net Weight	0.92Lbs

### FEATURES AND BENEFITS

- Built-in motor lithium battery
- Solar charging
- Bi-directional
- App compatible
- Electronic limit
- Slow jog & tilt mode
- Leveling control
- Favorite position
- Adjustable RPM

### APPLICATIONS

- Dual Shades
- Natural Woven Shades (US)
- Roller Shades
- Roller Basics Shades
- Sheer Shadings