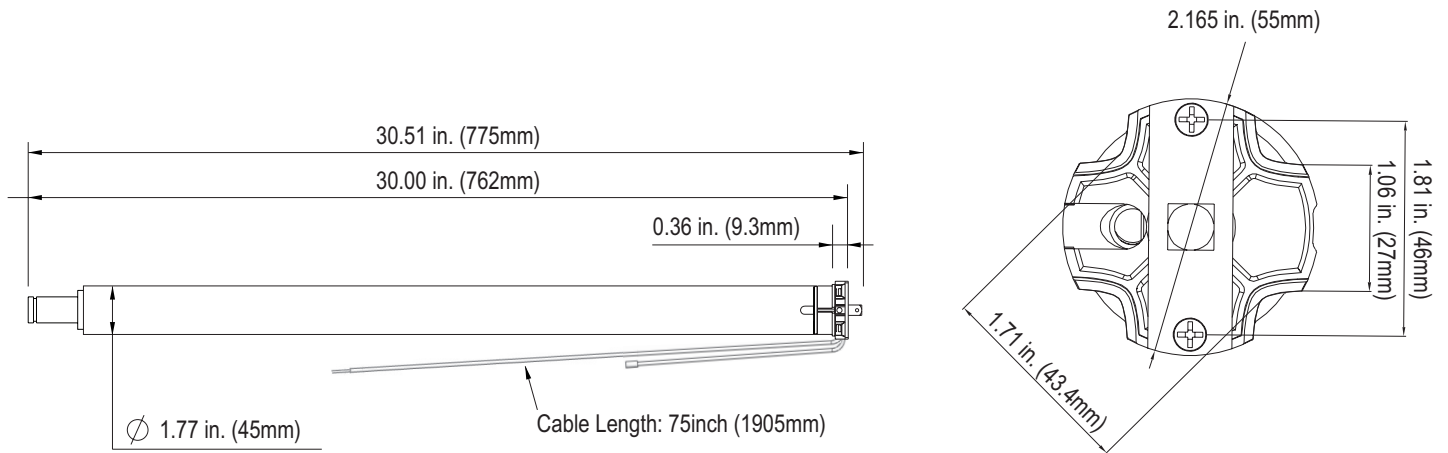


DIMENSIONS



SPECIFICATIONS

| | |
|------------------------|--------------------------------|
| Model | BLISS 10.0 AC |
| Torque | 10.0Nm |
| Speed | 24rpm (adjustable to 21 or 20) |
| Motor Size (L x W x H) | 775mm*55mm*55mm |
| Voltage | 120V DC |
| Current | 0.98A |
| Power | 118W |
| IP Class | IP44 |
| Insulation Grade | B |

| | |
|---------------------|-----------------------------|
| Working temp | 32°F to 140°F (0°C to 60°C) |
| RF Modulation | FSK |
| Radio Frequency | 433.92 MHz |
| Max Running Circles | 4 Minutes |
| Limit Switch Type | Electronic |
| Sound Level | 50dB |
| Net Weight | 8.44Lbs |

FEATURES AND BENEFITS

- AC motor
- Bi-directional
- App compatible
- Electronic limit
- Slow jog & tilt mode
- Leveling control
- Favorite position
- Adjustable RPM

APPLICATIONS

- Roller Shades