

// Product Components Guide



ALTA
WINDOW FASHIONS
design simplified

SHEER
SHADINGS

REVISED 10/1/23

SUMMARY OF REVISIONS

10/1/23 Revisions:

Page 3Corrected RH Idler PCN
Page 8Corrected #1 (incorrectly was numbered #18)
Page 13.....Updated Somfy Transformer PCN

5/15/23 Revisions:

Page 9.....Corrected Vanilla and Black PowerWand Pendant PCNs

3/13/23 Revisions:

Page 11Updated Rechargeable Battery Pack PCN and added Power Source PCNs

11/15/22 Revisions:

Page 2Updated Back Cover Bracket and Installation Bracket Picture
Page 3.....Updated Back Cover Bracket and Installation Bracket PCNs
Page 10Updated Installation Bracket Picture
Page 11Updated Installation Bracket PCNs
Page 12Updated Installation Bracket Picture
Page 13.....Updated Installation Bracket PCNs

10/15/22 Revisions:

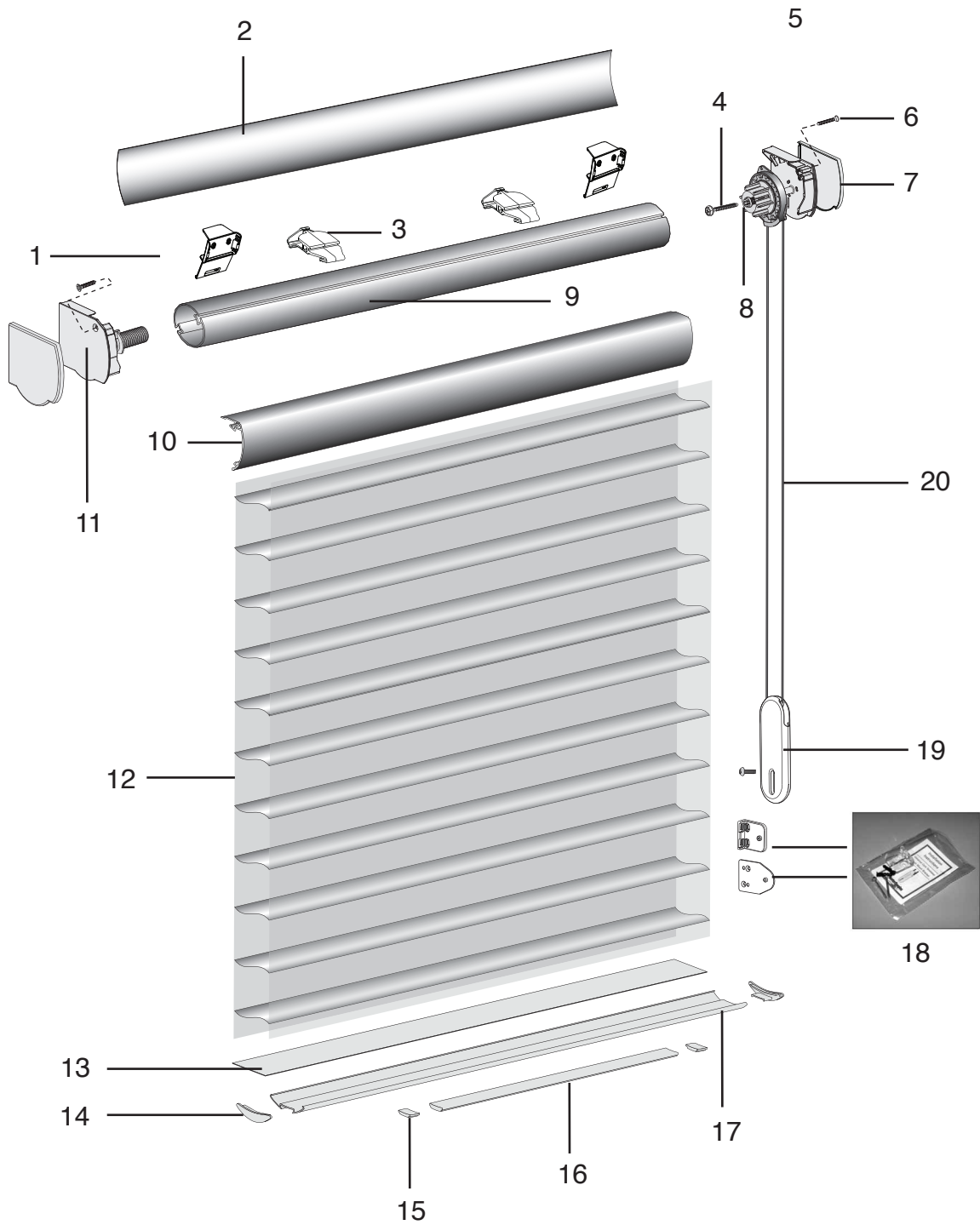
Page 9Corrected Gray PowerWand Pendant PCNs
Page 11Updated Bliss Bridge PCN

TABLE OF CONTENTS

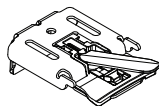
Product Specifications

- Product Components – Standard 2-3
- Product Components – Retractable Cord 4-5
- Product Components – Cordless Lift 6-7
- Product Components – Powerwand™ 8-9
- Product Components – Bliss Automation 10-11
- Product Components – Somfy Automation 12-13

PRODUCT COMPONENTS – STANDARD



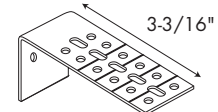
21



22



23

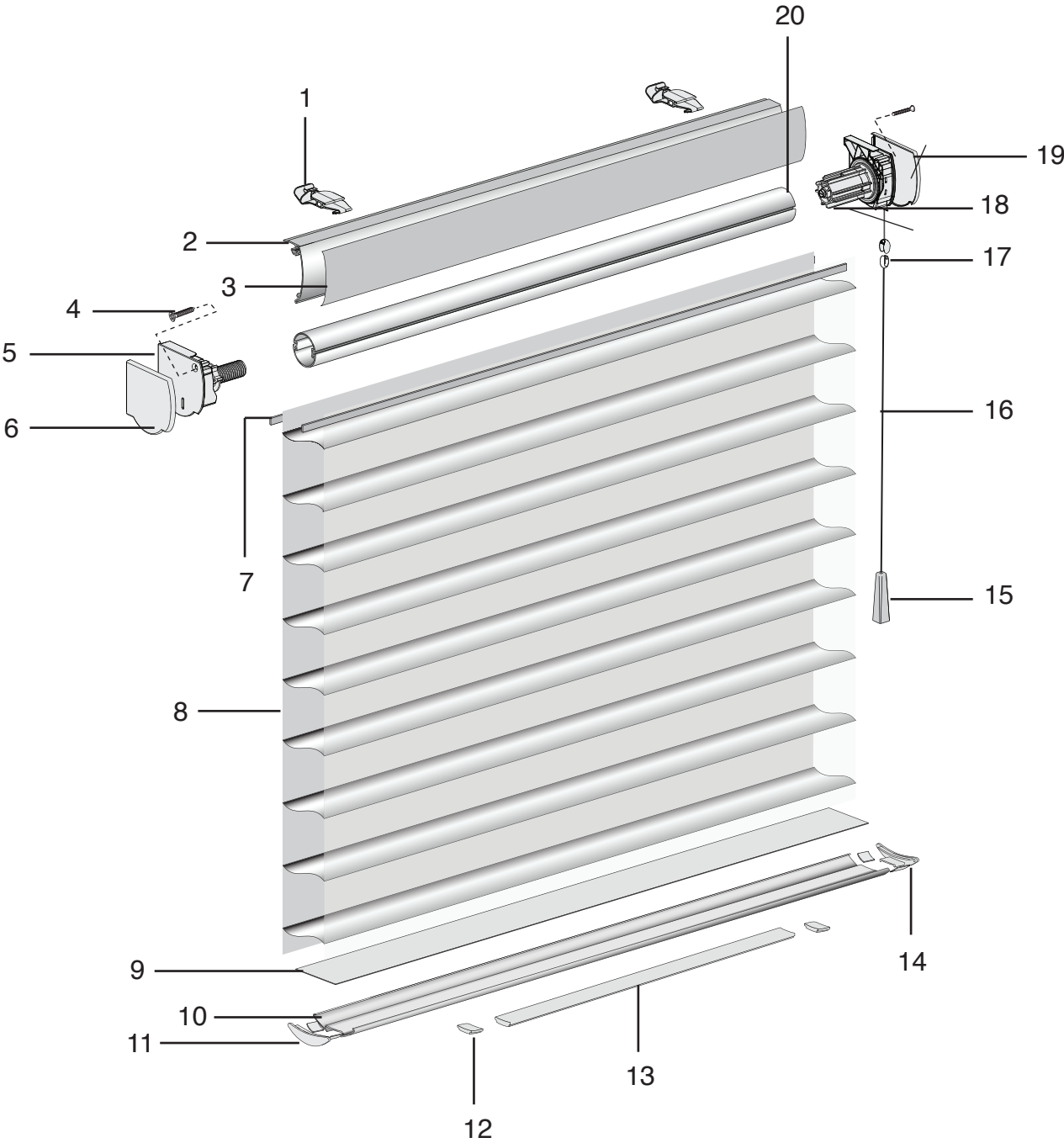


24

PRODUCT COMPONENTS – STANDARD

1. Back Cover Bracket (Optional with Inside & End Mount)
(Part #KIT9127) - 2 Pack
(Part #KIT9128) - 3 Pack
2. Back Cover (Optional for Inside and End Mount)
(Part #5001200885H)
3. One-Piece Ratchet Limit (Part #4150057885)
4. Screw (Clutch) (Part #4150158000)
5. Not Shown:
Dust Cover (Optional for Outside Mount) (Part #5001200885H)
Velcro Circle Loop (Part #4150077000)
Velcro Circle Hook (Part #4150078000)
6. Screw (end cap) (Part #4174707000)
7. End Cap Cover
RH (Part#4171291-COLOR)
LH (Part#4171292-COLOR)
8. Clutch Assembly
RH (Part #4170417000)
LH (Part #4170418000)
9. Universal Rotator Rail (Part #1001690)
10. Headrail
11. Idler Assembly
RH (Part #4170439000)
LH (Part #4170440000)
12. Fabrics
13. Bottom Slat
14. Bottomrail End Caps (Part #4150084-COLOR)
15. Weight Clips (Part #4150083-COLOR)
16. Balance Weight
17. Bottomrail
18. Universal Tensioner Installation Kit (Part #KIT2350)
19. Universal Cord Tensioner (Part #4152336-COLOR)
20. Cord Loop
21. Magnetic Hold-Down (Part #KIT9108)
22. Installation Bracket Pair
(Part #KIT9125) - 2 Pack
(Part #KIT9126) - 3 Pack
23. 1/2" Spacer Block - Outside Mount Only (Optional)
(Part #KIT2011) – 2 Pack
(Part #KIT2012) – 3 Pack
24. Extension Bracket - Outside Mount Only (Optional)
(Part #KIT2013) – 2-Pack
(Part #KIT2014) – 3-Pack

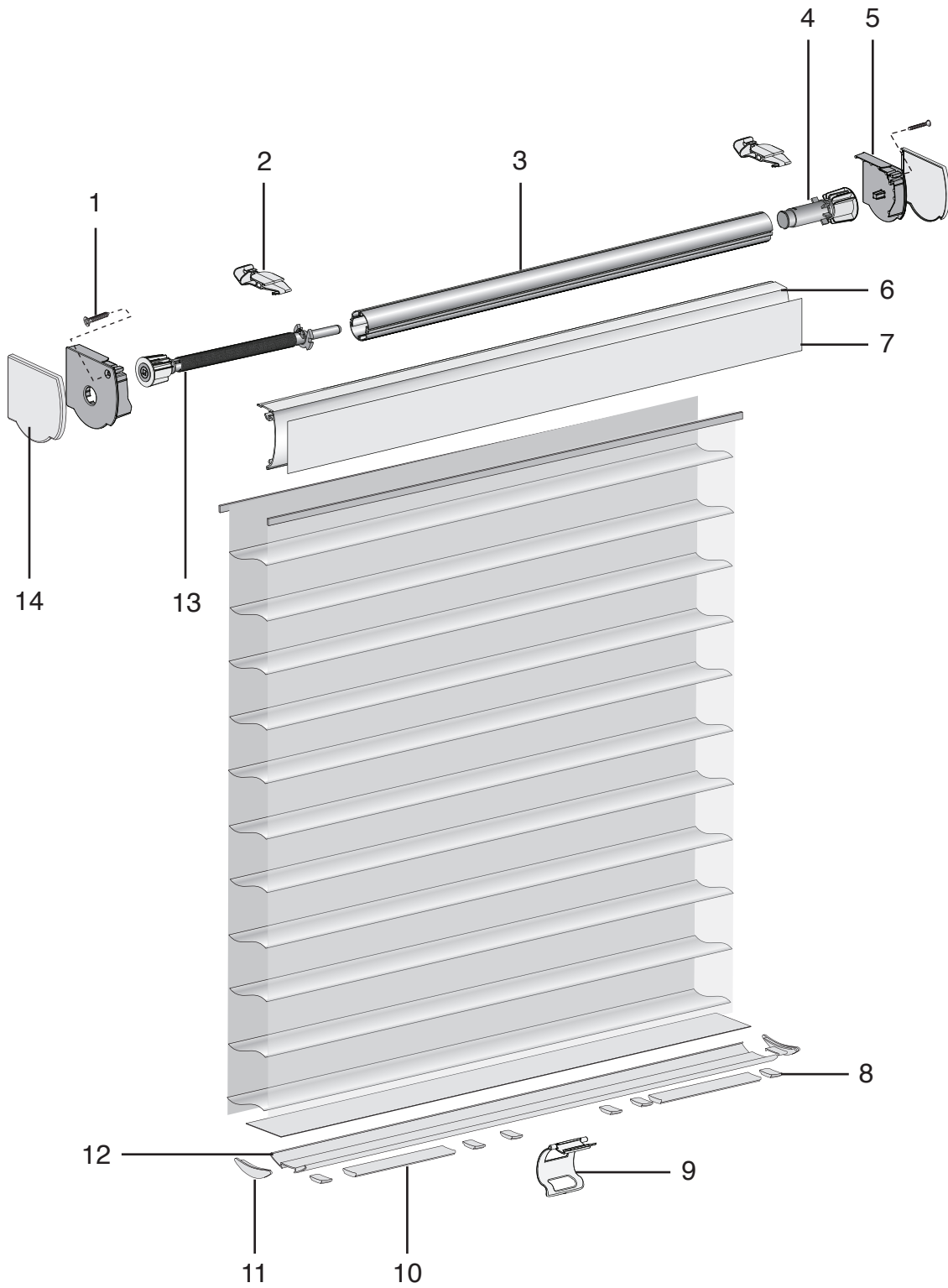
PRODUCT COMPONENTS – RETRACTABLE CORD



PRODUCT COMPONENTS – RETRACTABLE CORD

1. Top Limit (Part #4150057885)
2. Headrail
3. FCH Fabric
4. Screw FLH PHH #8-18 x 0.75" (Part #4174707000)
5. Idler Assembly
RH (Part #4170439000)
LH (Part #4170440000)
6. End Cap Cover
RH (Part #4171291-COLOR)
LH (Part #4171292-COLOR)
7. Polystrip With Tape (Part #4150288785)
8. Fabric
9. Bottom Slat
10. Bottom Rail
11. Bottom Rail End Caps (Part #4150084-COLOR)
12. Weight Clips (Part #4150083-COLOR)
13. Balance Weight
14. Short Steel Insert Strip (Part #4150600000)
15. Tassel (Part #4154774-COLOR)
16. Drop Cord 2.2 mm, D-20 (Part #2930320-COLOR)
17. Lower Cord Connector (Part #4154739000)
18. Clutch Assembly
RH (Part #4178507000)
LH (Part #4178508000)
19. End Cap Cover
RH (Part #4171291-COLOR)
LH (Part #4171292-COLOR)
20. Rotator Rail, 0.050 LW, Universal (Part #1001690)

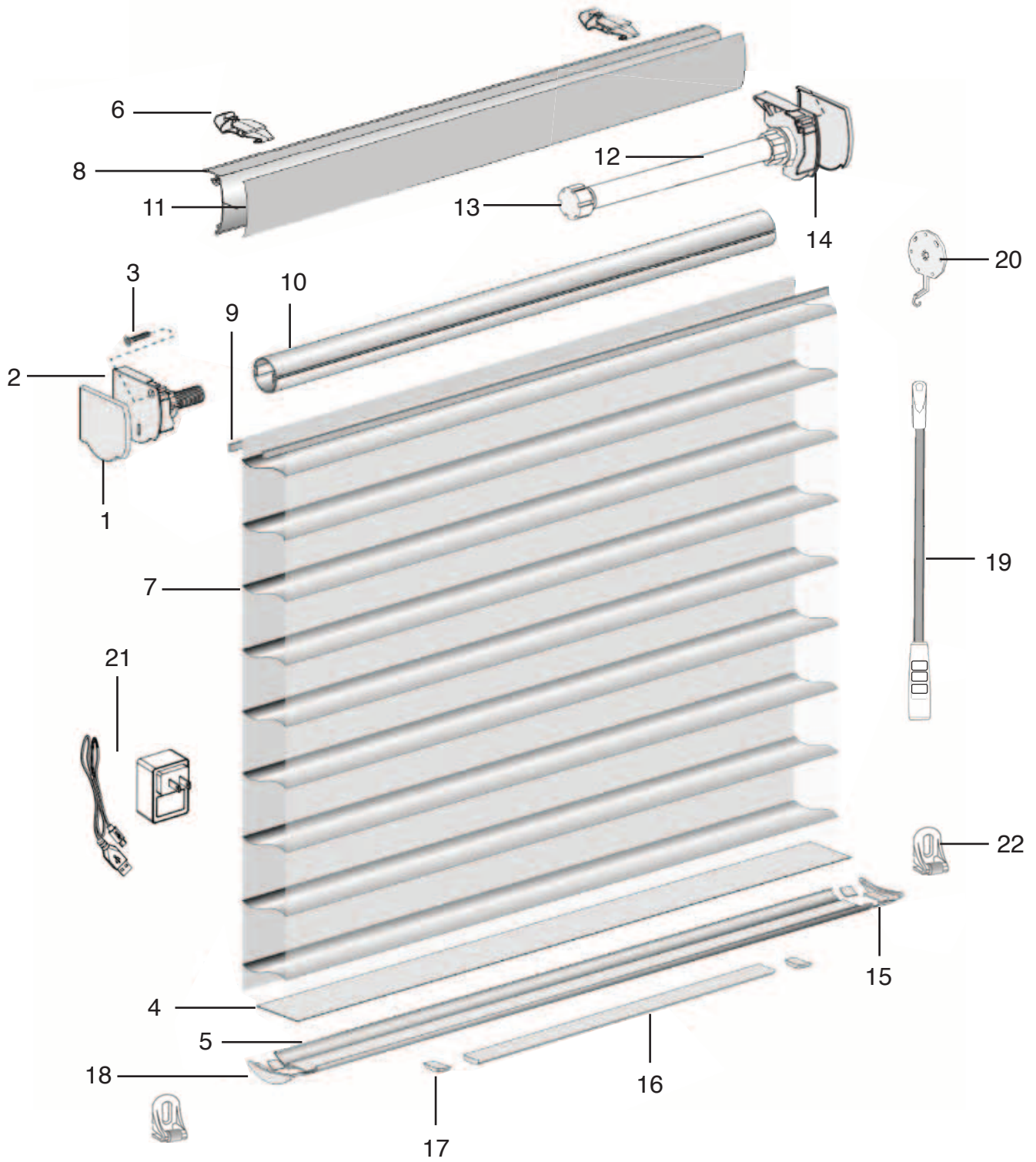
PRODUCT COMPONENTS – CORDLESS LIFT



PRODUCT COMPONENTS – CORDLESS LIFT

1. Screw, FLH PHH #8-18 X 0.75" (Part #4174707000)
2. Top Limit (Part #4150057885)
3. Rotator Rail (Part #1001746)
4. Cordless Sheer Tilt Governor (Part #CS5211)
5. Zinc End Plate Set (Part #4171178000)
6. Headrail
7. FCH Fabric
8. Weight Clips (Part #4150083-COLOR)
9. Hinged Handle (Part #CS5217)
10. Balance Weight
11. Bottom Rail End Caps (Part #4150084-COLOR)
12. Bottom Rail
13. Cordless Sheer Spring
500 Spline (Part #CS5215)
2000 Spline (Part #CS5212)
3000 Spline (Part #CS5213)
14. End Cap Cover
RH (Part #4171291-COLOR)
LH (Part #4171292-COLOR)

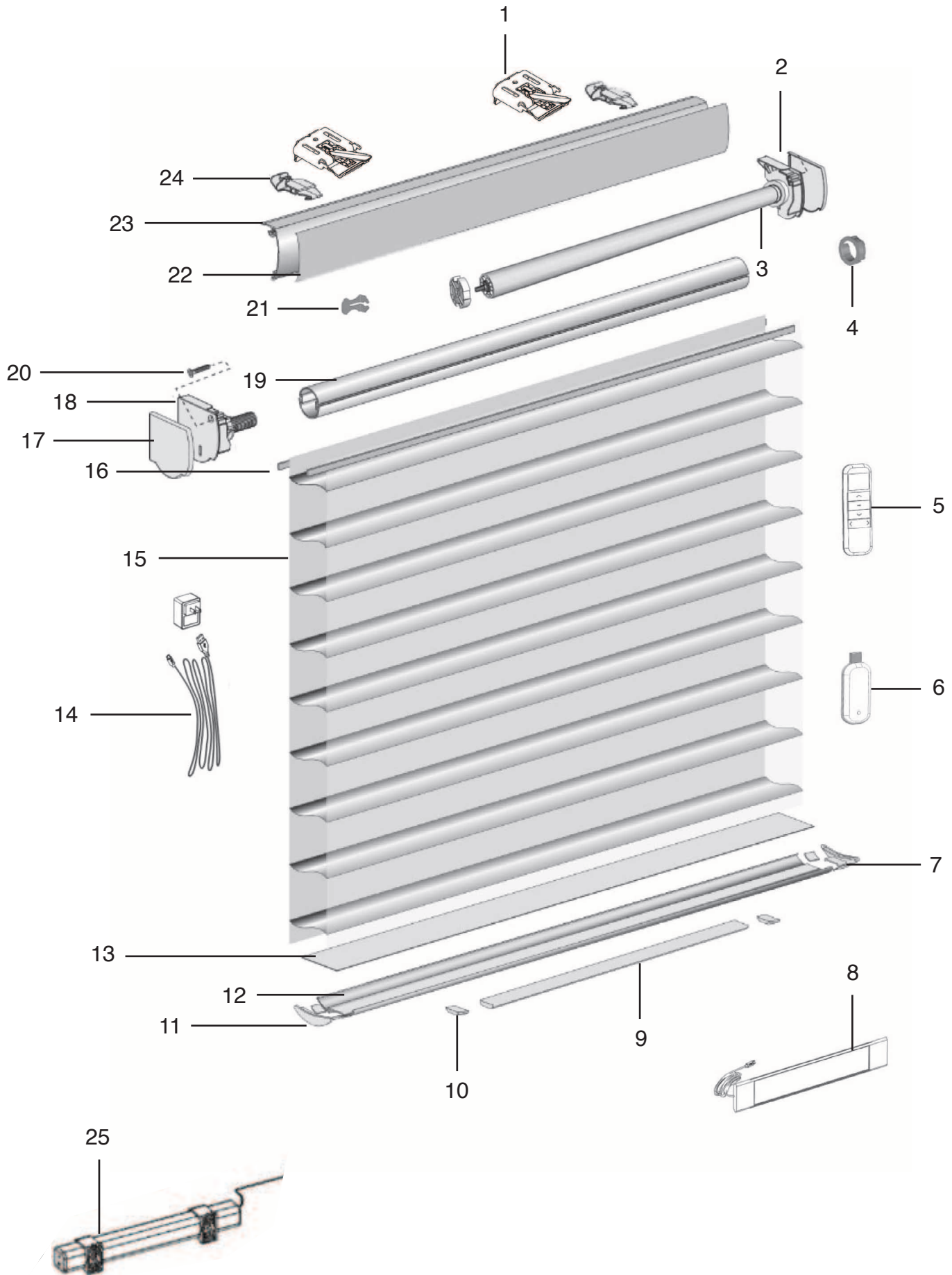
PRODUCT COMPONENTS – POWERWAND



PRODUCT COMPONENTS – POWERWAND

1. End Cap Cover
RH (Part #4171291-COLOR)
LH (Part #4171292-COLOR)
2. Idler Assembly
RH (Part #4170439000)
LH (Part #4170444000)
3. Screw (end cap) (Part #4174707000)
4. Bottom Slat
5. Bottomrail
6. SU Std. Top Limit (Part #4150057885)
7. Fabric
8. Polystrip (Part #4150288785)
9. Polystrip with Tape (Part #4150288785)
10. Universal Rotator Rail (Part #1001690)
11. Fabric Covered Headrail
12. Motor (Part #1034419)
13. Crown and Drive (Part #1034421)
14. Headrail End Plate
RH (Part #JLR-0000022-R)
LH (Part #JLR-0000022-L)
15. Short SU Steel Insert Strip (Part #4150600000)
16. Balance Weight
17. Weight Clips
18. Bottomrail End Caps
19. Pendant
White
1FT (Part # 1034303)
2FT (Part # 1034304)
3FT (Part # 1034305)
4FT (Part # 1034306)
5FT (Part # 1034307)
6FT (Part # 1040190)
Vanilla
1FT (Part # 1034408)
2FT (Part # 1034409)
3FT (Part # 1034410)
4FT (Part # 1034411)
5FT (Part # 1034412)
6FT (Part # 1040191)
Gray
1FT (Part # 1034413)
2FT (Part # 1034414)
3FT (Part # 1034415)
4FT (Part # 1034416)
5FT (Part # 1034417)
6FT (Part # 1040192)
Brown
1FT (Part # 1034403)
2FT (Part # 1034404)
3FT (Part # 1034405)
4FT (Part # 1034406)
5FT (Part # 1034407)
6FT (Part # 1040193)
Black
1FT (Part # 1034308)
2FT (Part # 1034309)
3FT (Part # 1034400)
4FT (Part # 1034401)
5FT (Part # 1034402)
6FT (Part # 1040194)
20. PowerWand Hanger
(White Part #1034424)
(Black Part #1034425)
21. Plug-In Charger (Part #1027720)
22. Magnetic Hold-Down Brackets (Part #KIT9108)

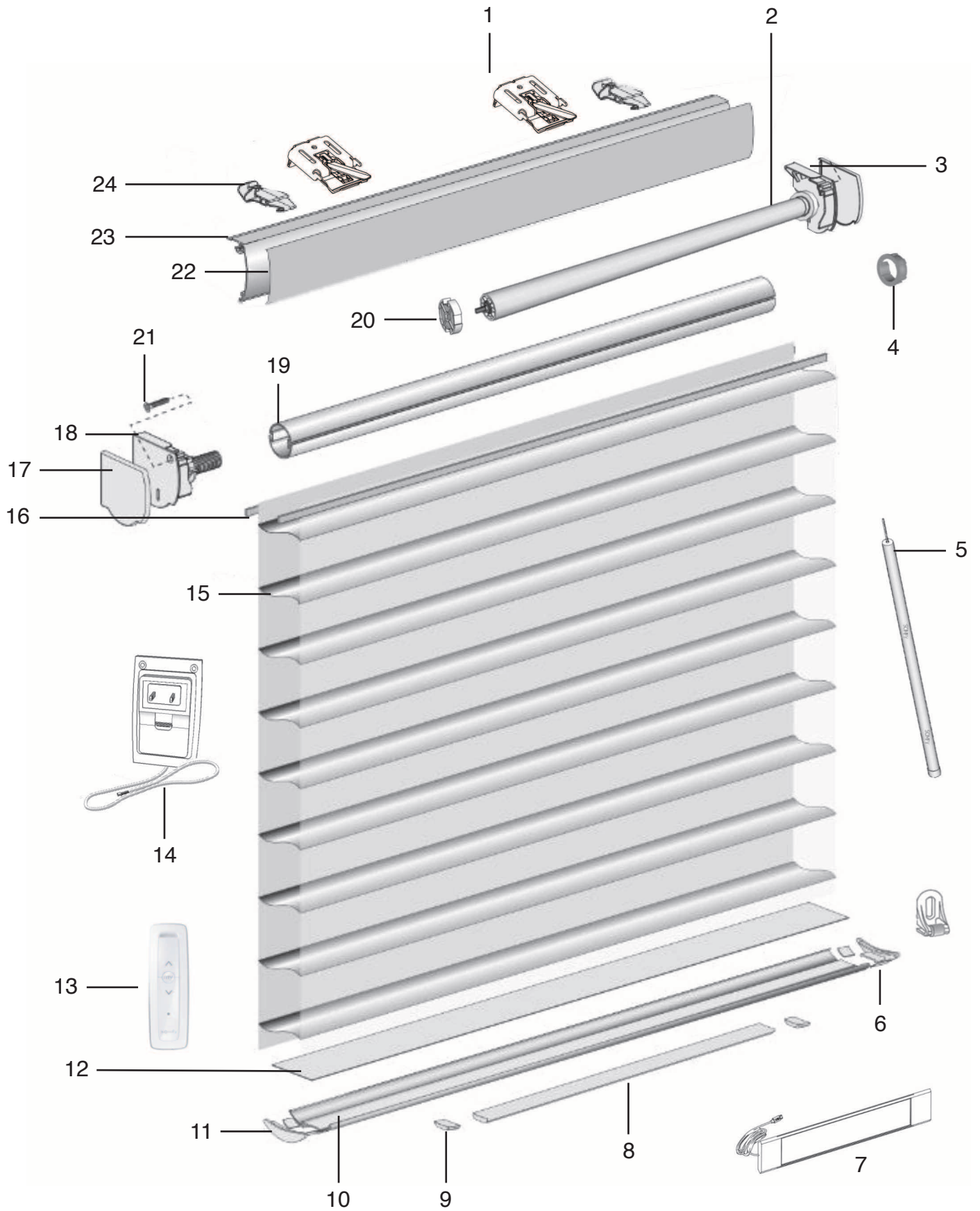
PRODUCT COMPONENTS – BLISS AUTOMATION



PRODUCT COMPONENTS – BLISS AUTOMATION

1. Installation Brackets
(Part #KIT9125) - 2 Pack
(Part #KIT9126) - 3 Pack
 2. Left Adapter (Part #62313000)
Right Adapter (Part #62314000)
 3. Motor (Part #62004000)
 4. Crown Adapter (Part #1013110)
Drive Adapter (Part #1013122)
 5. Bliss Remote Control
White (Part #62101C00)
 6. Bliss WiFi USB Bridge (Part #1026654)
 7. Short Steel Insert Strip (Part #4150600000)
 8. Bliss Solar Panel (Part #62201000)
 9. Balance Weight
 10. Weight Clips (Part #4150083-COLOR)
 11. Bottom Rail End Caps (Part #4150084-COLOR)
 12. Bottom Rail
 13. Bottom Slat
 14. Charger Kit (Part #1027720)
 15. Fabric
 16. Polystrip With Tape (Part #4150288785)
 17. End Cap Cover
RH (Part #4171291-COLOR)
LH (Part #4171292-COLOR)
 18. Idler Assembly
RH - (Part #4170439000)
LH - (Part #4170444000)
 19. Rotator Rail, 0.050 LW, Universal (Part #1001690)
 20. Screw, FLH PHH #8-18 X 0.75" (Part #4174707000)
 21. Clip Motor Drive (Part #1013112)
 22. FCH Fabric
 23. Headrail
 24. One-Piece Ratchet Limit (Part #4150057885)
 25. BATPK;BLISS;5v2.6AhLi-ion;Rechargeable (Part #62203300)
- Not Shown (Optional)
15v DC Distribution Power Panel - 18 Motor (Part #1037300)
12v DC Plug In Transformer (Part #62209000)
Magnetic Charging Kit (Part # 1026665)
Magnetic Charging Kit - 90 Degree (Part#1027769)

PRODUCT COMPONENTS – SOMFY AUTOMATION



PRODUCT COMPONENTS – SOMFY AUTOMATION

1. Installation Brackets
(Part #KIT9125) - 2 Pack
(Part #KIT9126) - 3 Pack
 2. Motor
Sonesse® 28 WireFree™ RTS External Battery (Part #1026826)
Sonesse® 28 WireFree™ RTS Li-Ion (internal battery) (Part #1026825)
Sonesse® 28 WireFree™ Zigbee External Battery (Part #1035012)
Sonesse® 28 WireFree™ Zigbee Li-Ion (internal battery) (Part #1035013)
 3. Plate;End;Sonesse 28; LH (Part #1026830)
Plate;End;Sonesse 28; RH (Part #1026831)
 4. Crown;Drive;WS;DS;Sonesse 28 (Part #1027075)
 5. 12v Reloadable Battery Wand (Part #RC445268)
Reloadable Dual Battery Wand (Part # KITRDWR)
 6. Short SU Steel Insert Strip (Part #4150600000)
 7. Charger;Somfy;Solar Panel;WF Li-ion (Part #9025166)
 8. Balance Weight
 9. Weight Clips (Part #4150083-COLOR)
 10. Classic Bottom Rail
 11. Classic Bottom Rail End Caps (Part #4150084-COLOR)
 12. Bottom Slat
 13. Situo 1-Channel Transmitter (Part #1019536)
Situo 1 Zigbee (Part #1035016)
Situo 4 Zigbee (Part #1035017)
Situo 5 RTS (Part #1019537)
Tellis 16 Channel (Part #1811081)
 14. 12v DC Power Supply (Part #1042060)
 15. Fabric
 16. Poly Strip - Edge To Edge Assy (Part #4150288785)
 17. End Cap Cover
RH (Part #4171291-COLOR)
LH (Part #4171292-COLOR)
 18. Idler Assembly
RH - (Part #4170439000)
LH - (Part #4170444000)
 19. Screw, FLH PHH #8-18 X 0.75" (Part #4174707000)
 20. Rotator Rail, 0.050 LW, Universal (Part #1001690)
 21. Crown;Drive;WS;DS;Sonesse 28 (Part #1027075)
 22. FCH Fabric
 23. Headrail
 24. Std. Top Limit (Part #4150057885)
- Not Pictured:
PLUG;Smart;Zigbee (Part #1035018)
Rechargeable Battery Pack (Part #1019535)
Magnetic Charging Kit (Part #1040198)
Magnetic Adapter (Part #1040090)