

// Product Components Guide



ALTA
WINDOW FASHIONS
design simplified

VERTICAL
BLINDS

Revised 8/1/22

SUMMARY OF REVISIONS

8/1/22 Revisions

Page 2Replaced image of Outside Mount Bracket with the current bracket image
Page 2Removed the 10
Page 3Removed 4" Extension L Bracket due to part is no longer available
Page 3Changed what is included in the Outside Mount Bracket Assembly kit
Page 4Replaced image for tensioner with the current tensioner image
Page 5Changed Universal Tension Device to Cord Tensioner and add pcn
Page 7Changed Vane Rotation Wand from Anodized to Gray and White

3/1/22 Revisions

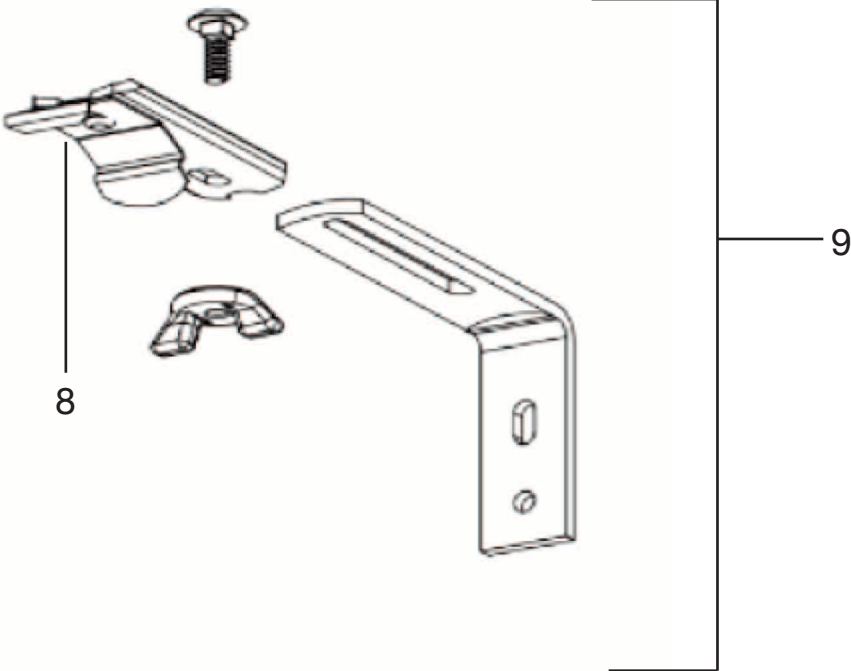
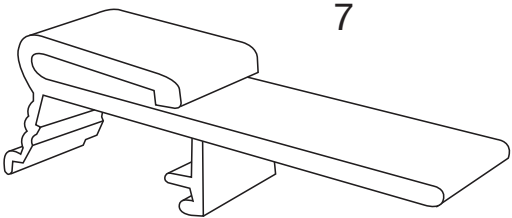
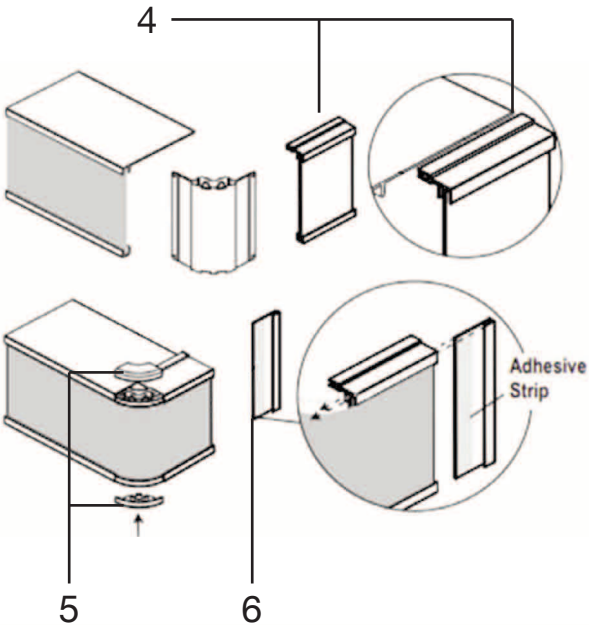
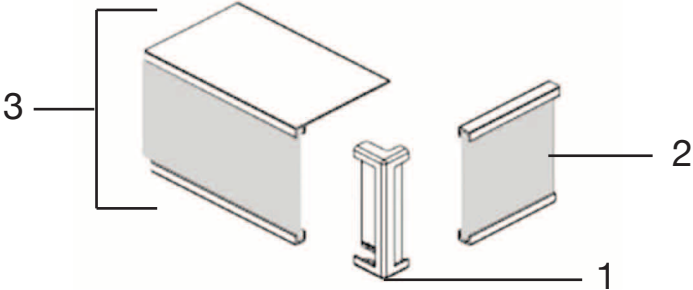
Pages 3PCN changed for Outside Mount Bracket Assembly Kit

TABLE OF CONTENTS

Product Specifications

- Product Components..... 2-7

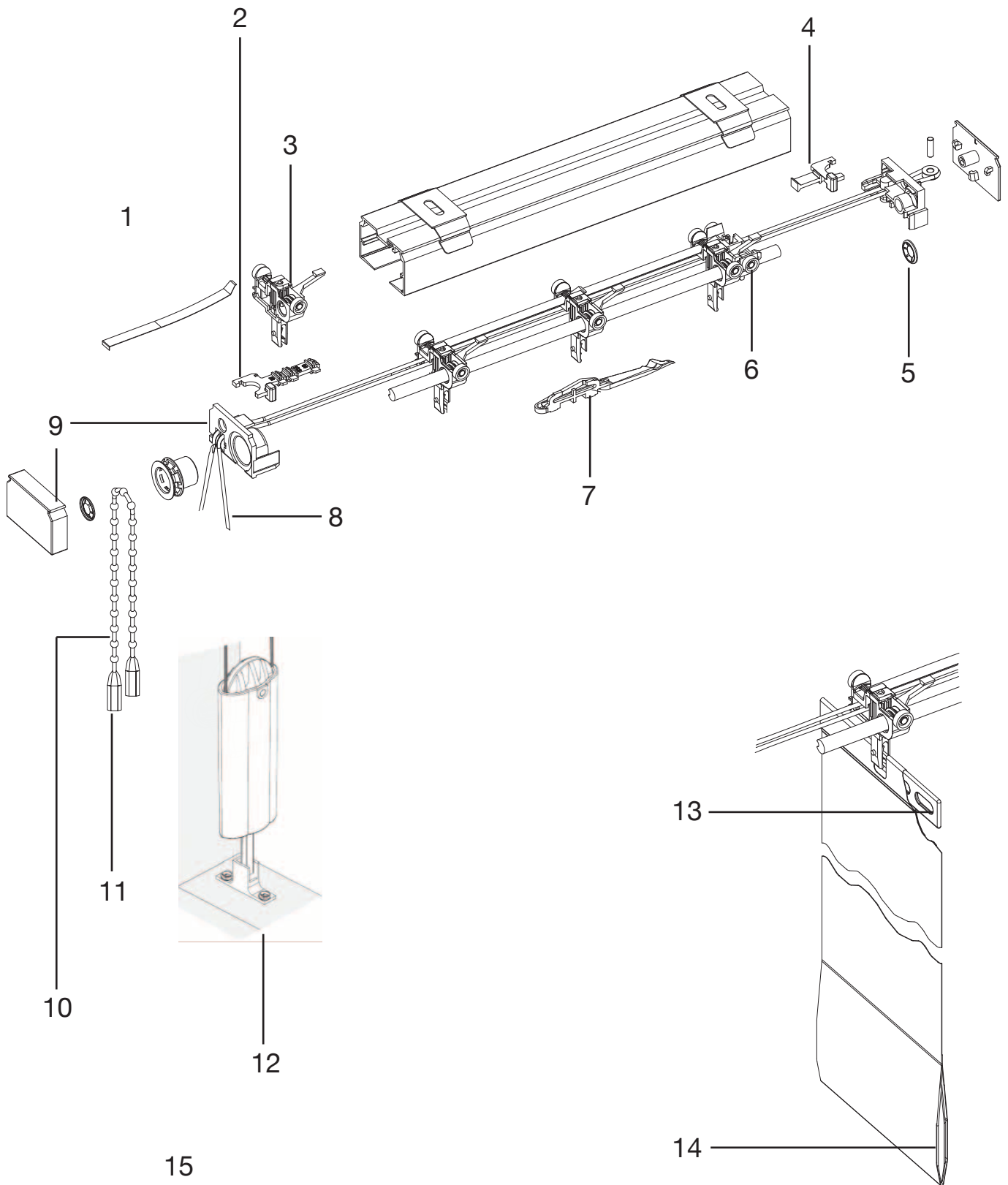
PRODUCT COMPONENTS



PRODUCT COMPONENTS

1. Square Valance Corner (Part #1029604)
2. Valance Return
3. Dust Cover
4. 1.25" Rounded Corner Return with Stabalizer (Part # 1032233)
5. Rounded Valance Corner Caps (Part # 1032231)
6. Material Gripper (Part # 1032232)
7. Vertical Valance Clip (Part #1029603)
8. Inside Mount Snap on Installation Clip (Part #1029579)
9. Outside Mount Bracket Assembly Kit (Part #1032235)
(Includes L Bracket extends from 3 1/2" to 5 5/8", Inside Mount Snap on
Clip, bolt and wing nut)
3 1/2" L Bracket (Part # 1029602)
4 3/8" Extension L Bracket (Part # 1029601)
10. Not Pictured:
4.25" Round Corner Return with Stabalizer (Part # 1032234)

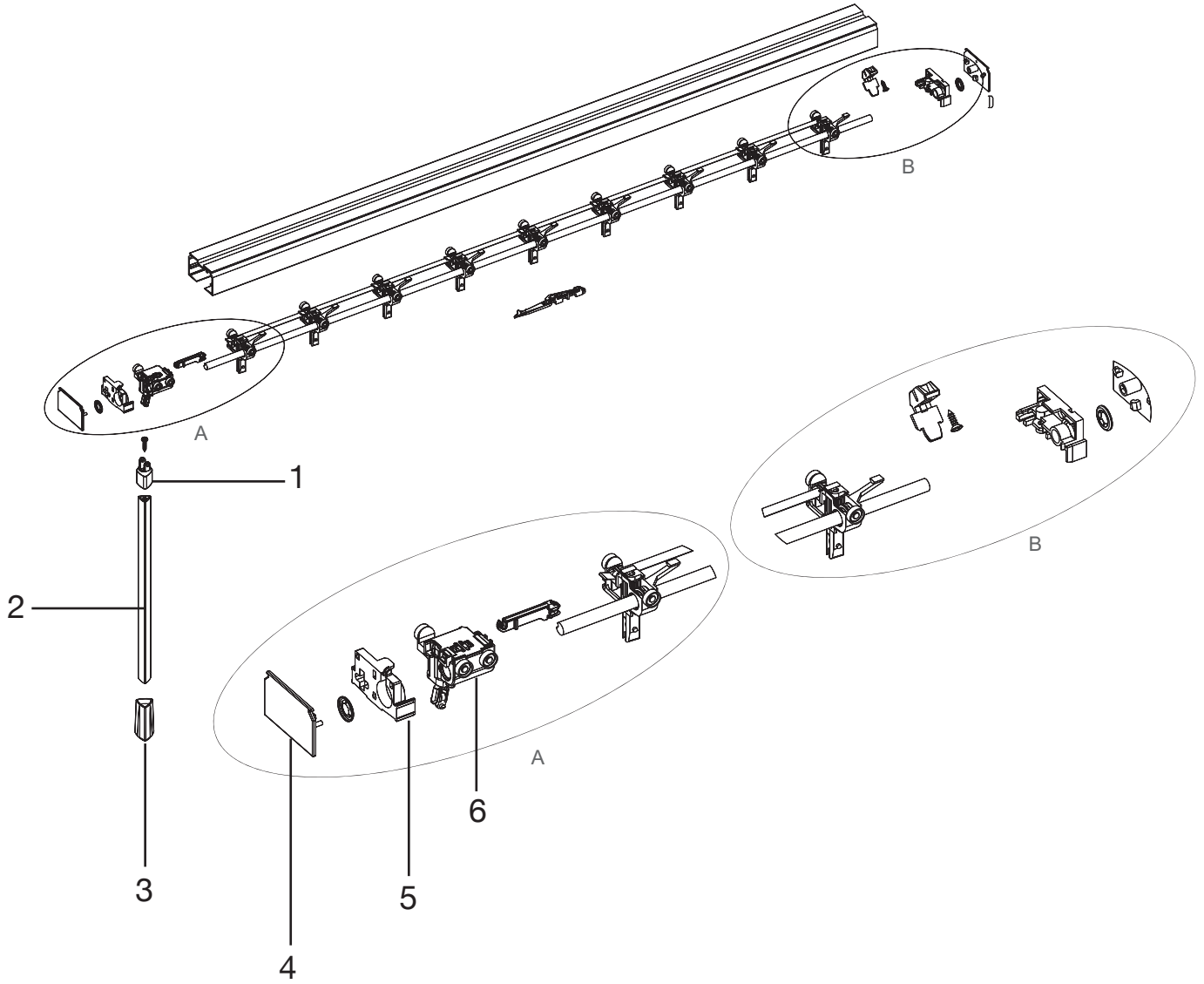
PRODUCT COMPONENTS



PRODUCT COMPONENTS

1. Spacer
2. Distance Retainer
3. Carrier
4. Distance Stop
5. Star Fastener / Speed Nut
6. Cord Terminal R
Cord Terminal L
7. Shaft Support R
Shaft Support L
8. Traversing Cord
9. End Cap
10. Vane Rotation Control Chain Off White Polycarbonate
(Part #24760580825)
11. Chain Tassel (Part # 93001876)
12. Cord Tensioner
(Part # 7713800033)
13. Top Insert
14. Bottom Weight
15. Not Shown:
Louver Stem (Part #1029578)
Louver Stem Tool (Part #1029605)
Vane Rotation Control Chain Steel Bead (Part #6951)

PRODUCT COMPONENTS



PRODUCT COMPONENTS

1. Wand Top Hook
2. Vane Rotation Wand (Gray or White)
3. Wand Bottom Cap
4. Wand End Cap
5. Wand Gear Box
6. Wand Gear Box Connector